

**PREMIUM CABINETS / REMOTE
FRIGORIFERI PREMIUM / REMOTI**

**"ECOSTORE"
DUAL TEMP. 700Lt**

| Code | Model | Ref | Page | Description | Eng.Ch. |
|---------------|------------------|----------|--------------|---|---------|
| 110126 | NPT71FRRR | e | 2,3,4 | 2x½-DOOR DUAL REFR. 670L -2/-2°C,DIG-REM | 06/06 |
| 110185 | NPT71FRFR | b | 2,3,4 | 2x½-DOOR DUAL REFR.670L -2/-22°C,DIG-REM | 06/06 |
| 190987 | ESP72HDFR | g | 2,3,4 | 2x½-DOOR DUAL REFR.670L -2/-22°C,DIG-REM | 00/00 |
| 190D0K | ESP72HDDR | h | 2,3,4 | 2x½-DOOR DUAL REFR. 670L -2/-2°C,DIG-REM | |
| 727259 | ESP72HDDR | d | 2,3,4 | 2x½-DOOR DUAL REFR. 670L -2/-2°C,DIG-REM | 06/06 |
| 727488 | ESP72HDFR | a | 2,3,4 | 2x½-DOOR DUAL REFR.670L -2/-22°C,DIG-REM | 11/11 |
| 728702 | EP07RRD2CR | f | 2,3,4 | 2x½-DOOR DUAL REFR. 670L -2/-2°C,DIG-REM | 07/07 |
| 728851 | CTE72HDFR | c | 2,3,4 | 2x½-DOOR DUAL REFR.670L -2/-22°C,DIG-REM | 07/07 |
| | | | | | 00-06 |
| | | | | | 00-06 |
| | | | | | 00-07 |

Index

Cabinet and door/Mobile e porta
Cooling unit assembly/Gruppo refrigerante
Control panel/Pannello comandi
Spare parts list/Lista ricambi

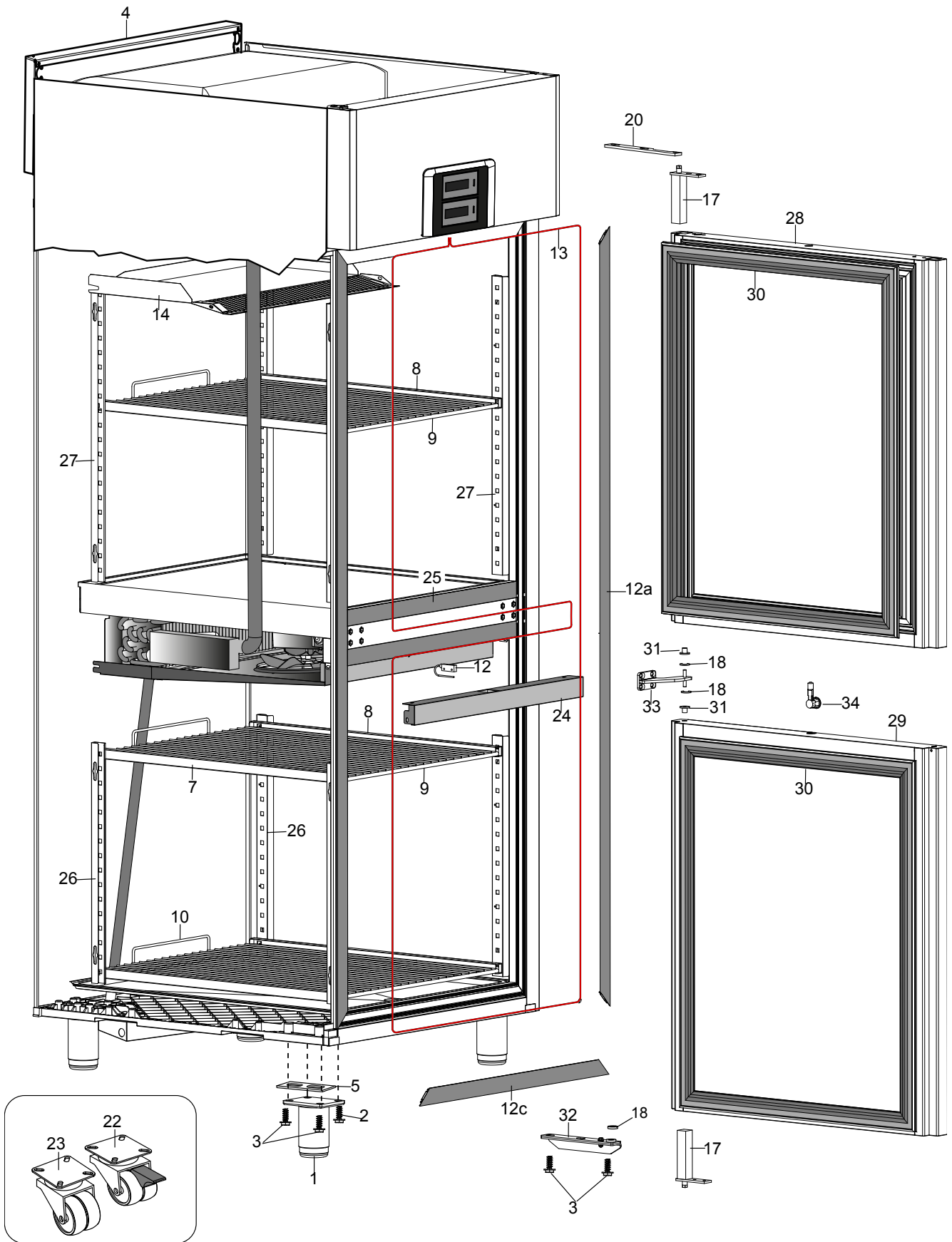
Page

2
3
4
5...

Bold= last change/Grassetto =ultima modifica

Rev. 3

| | | | |
|--|---------------------------------|---------|-----------------------|
| From Ser. Nr.43510001 Up to Ser. Nr.... | Ed. 2016/04 Updated. 2022/05 | Page: 1 | Doc No: 560149 |
|--|---------------------------------|---------|-----------------------|



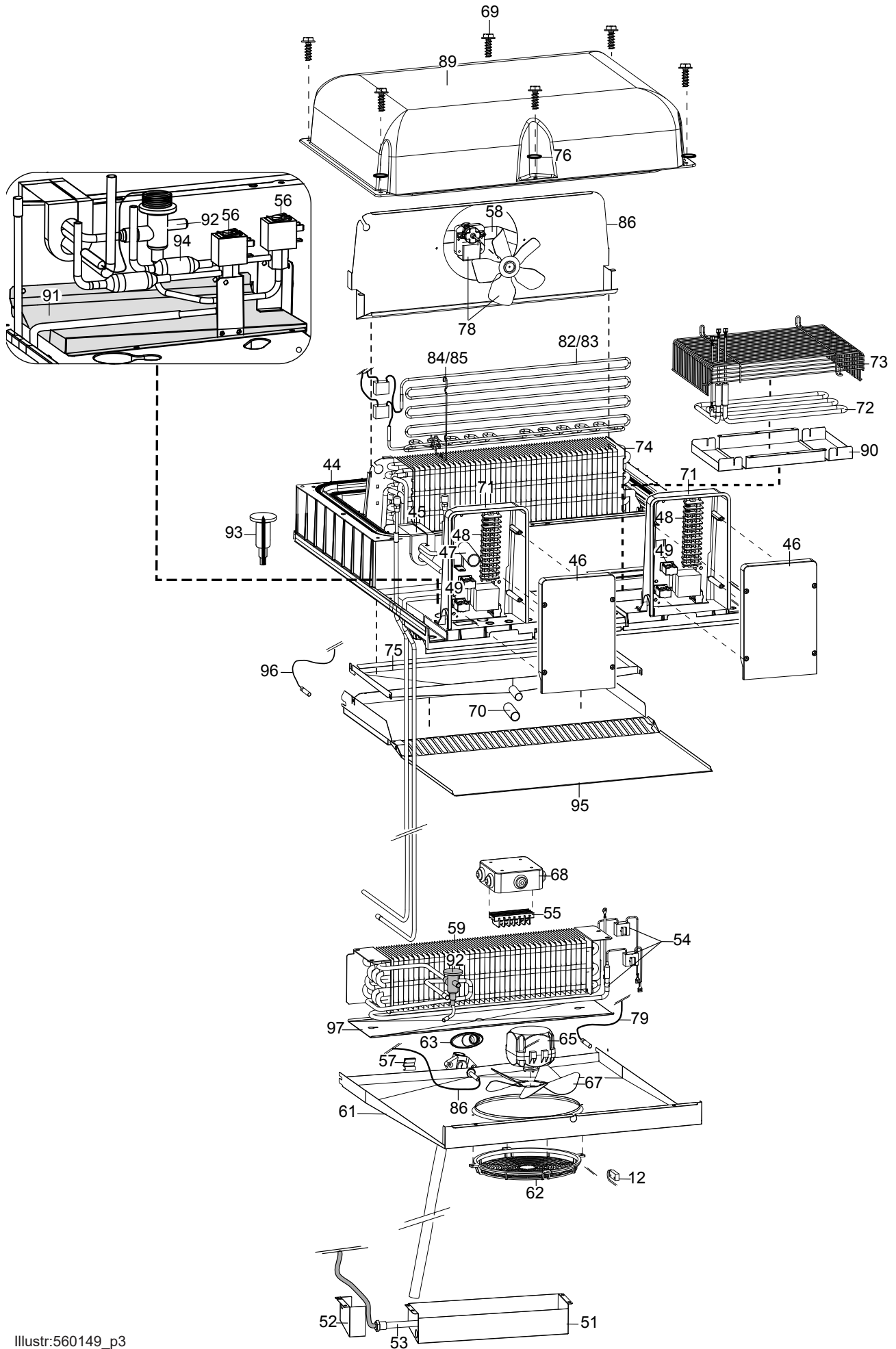
Illustr:560149_p2

From Ser. Nr.43510001
Up to Ser. Nr....

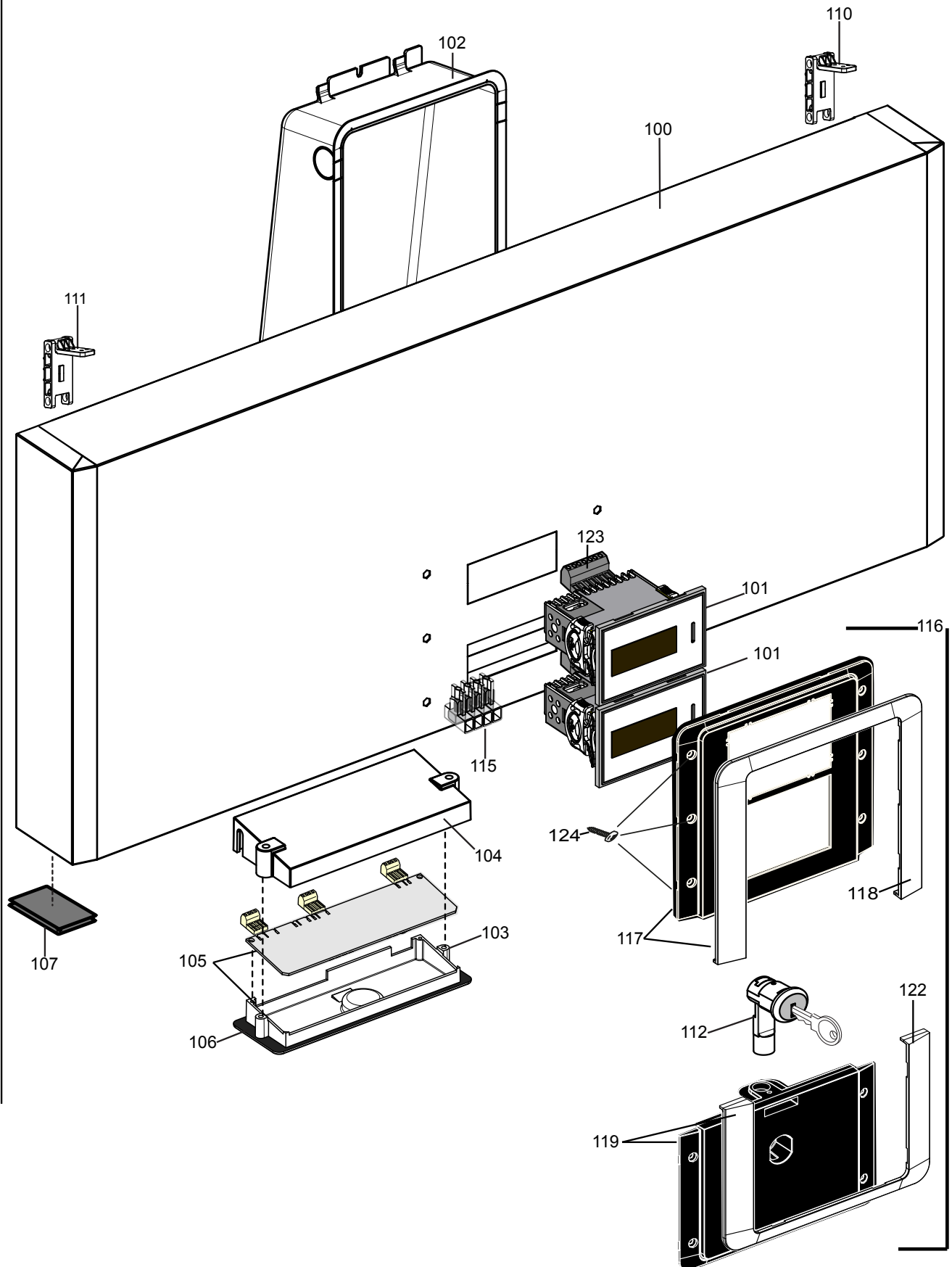
Ed. 2016/04

Page: 2

Doc No: 560149



Illustr:560149_p3



| Pos | Code | Factory code | Description | Descrizione | Ref/notes |
|-----------|---------------|-------------------|---|---|---------------------|
| Pag. 2 | | Cabinets and door | | Mobile e porta | Illustr:50149_p2 |
| 1 | 093243 | 541R05001 | Foot | Piedino | |
| 2 | 090144 | 514747100 | Screw (use by fix foot) | Vite per plastica per piedino | |
| 3 | 093246 | 518708601 | Screw M8X20 (use by fix bracket) | Vite M8x20 per fiss. staffa sup/inf | |
| 4 | 093247 | 502R17400 | Side support | Staffa supporto fianchi | |
| 5 | 093248 | 546R22800 | Foot spacer | Distanziale per piede | |
| 7 | 093358 | 501R48000 | Left support | Guida Sx | |
| 8 | 093359 | 501R48200 | Right support | Guida Dx | |
| 9 | 093252 | 514R10600 | Grid 2/1 rilsan | Griglia 2/1 rilsan | a,b,d,e,g,h |
| 9 | 081883 | 514R10700 | Grid 2/1 aisi 304 | Griglia 2/1 aisi 304 | c,f |
| 10 | 093253 | 514R12200 | Bottom grid rilsan | Griglia di fondo rilsan | a,b,d,e,g,h |
| 10 | 094231 | 514R12100 | Bottom grid aisi 304 | Griglia di fondo aisi 304 | c,f |
| 11 | | 515R13802 | Joint capillary | Raccordo per capillare | |
| 12 | 092319 | 640R01402 | Lower door swith | Micro porta inferiore | Up to 2021/37 |
| 12 | 097290 | 640R04601 | Lower door swith | Micro porta inferiore | From 2021/38 |
| 12a | 093254 | 832R09001 | Orizzontal frame | Cornice orizzontale | |
| 12c | 093256 | 832R09300 | Vertical frame 1/2 doors | Cornice verticale 1/2 porte | |
| 13 | 093331 | 617R07501 | Heating cable frame 28,35 W | Cavo riscaldante cornice 28,35 W | a,b,c,g |
| 13 | 093362 | 617R07300 | Heating cable frame 11,34 W | Cavo riscaldante cornice 11,34 W | d,e,f,h |
| 14 | | 875R37400 | Internal protection | Carter interno | |
| 17 | 082219 | 835704001 | Hinge door | Cerniera porta | |
| 18 | 093517 | 546R23100 | Door bush | Boccola per porta | |
| 20 | 082257 | 505723801 | Upper stirrup door | Staffa superiore porta | |
| 21 | 093271 | 541R05301 | Hole hinge plug | Tappo per cerniere | |
| 22 | 093575 | 835R24900 | Brake weel | Ruota rotante con freno | |
| 23 | 093574 | 835R24800 | Weel | Ruota rotante | |
| 24 | 093582 | 501R46702 | Evaporator lower protection | Protezione evap. vano inferiore | |
| 25 | 093272 | 832R10000 | Support half door frame | Cornice per traversa | |
| 26 | 093363 | 501R51700 | Lower rack 1/2 doors a304 | Cremagliera ant./post 1/2 porte | |
| 27 | 093364 | 501R46100 | Upper rack 1/2 doors a304 | Cremagliera ant./post 1/2 porte 304 | |
| 28 | 093546 | 835R26310 | Upper half door a304 | Ass.1/2 porta superiore a304 | |
| 29 | 093519 | 835R25509 | Lower half door a304 | Ass.1/2 porta inferiore a304 | |
| 30 | 094153 | 548R08101 | Half door gasket | Guarnizione magnetica 1/2 porte | |
| 31 | 093392 | 546R21100 | Half door bush | Boccola per cerniera 1/2 porte | |
| 32 | 093713 | 505R14200 | Lower hinge assembly | Ass. cerniera inferiore | |
| 33 | 093344 | 505R12400 | Central hinge door | Cerniera centrale | |
| 34 | 093433 | 833R21100 | Latch | Serratura | |
| Pag. 3 | | Cooling unit | | Gruppo refrigerante | Illustr:50149_p3 |
| 44 | 093262 | 14701R003 | Gasket cover (neoprene 8x13,3) | Neoprene espa. 8x13,3 nero (M4) | |
| 45 | 093614 | 546R25800 | Pipe cover insulation | Tamponcino per tubi | |
| 46 | 094425 | 546R26501 | Wiring cover | Copertura impianto elettrico | |
| 47 | 096636 | 694R00502 | Electrical filter | Filtro antidisturbo | |
| 48 | 093258 | 639R09900 | Clamp | Morsettiera | |
| 49 | 094127 | 639700500 | Cable stopper | Ferma cavo | |
| 50 | 092183 | 646R07800 | Lower probe compartement | Sonda vano inferiore | |
| 51 | 093583 | 501R45802 | Lower evaporator water basin | Bacinella inferiore | |
| 52 | | 501R58202 | PTC protection | Protezione ptc | |
| 53 | 093533 | 617R06601 | PTC 120 W | Resistenza ptc 120W | |
| 54 | 093421 | 617R06502 | Assembly heating element lower comp. | Resistenza vano inferiore assemblata | |
| 55 | 0A9312 | 639712400 | Clamp lower compartement | Morsettiera vano inferiore | |

| PREMIUM CABINETS | | | | DUAL TEMP. 700Lt | |
|------------------|---------------|------------------|---|--|---------------------------------------|
| Pos | Code | Factory code | Description | Descrizione | Ref/notes |
| 56 | 094435 | 646R10502 | Solenoid valve 220/23V 50 /60 hz | Elettrovalvola 220/23V 50 /60 hz | |
| 57 | 093547 | 514R12900 | Retaining spring for heating cable | Molla per cavo riscaldante | |
| 58 | 093326 | 501R45101 | Fan support mes | Staffa ventilatore Mes | |
| 59 | | 830R07800 | Lower evaporator 4R 5T | Evaporatore vano inferiore 4R 5T | |
| 60 | 093592 | 501R45902 | Lower basin (evaporator) | Bacinella | |
| 61 | 093440 | 833R21303 | Condenser water basin/carter evap. | Baccinella/carter raccolta condensa | |
| 62 | 091602 | 546R06100 | Fan protection | Griglia protezione ventola | |
| 63 | 091652 | 544R02501 | Discharge pipe | Tubo di scarico | |
| 65 | 093366 | 682R05900 | Ventilatore EBM | EBM fan | Up to 2015/05 |
| 65 | 094477 | 682R08600 | Ventilatore EBM | EBM fan | From 2015/06 Up to 2021/37 |
| 65 | 096482 | 682R12700 | Ventilatore EBM | EBM fan | From 2021/38 Up to 2022/18 |
| 65 | 096995 | 682R14200 | Ventilatore ELCO | ELCO fan | From 2022/19 |
| 66 | 096564 | 502R17002 | Fan support | Supporto ventilatore | |
| 67 | 093963 | 511R01500 | Fan 200X34 | Ventola 200X34 | a,b,c,g |
| 67 | 082874 | 511R01900 | Fan 200X34 | Ventola 200X34 | d,e,f,h |
| 68 | 093593 | 693R11600 | Electrical wiring support | Supporto impianto elettrico | |
| 69 | 090144 | 514747100 | Screws 6,3X25 | Vite 6,3X25 | |
| 70 | | 544R03200 | Discharge pipe /silicon | Tubo di scarico in silicone | |
| 71 | 093976 | 546R26701 | Electrical cover | Copertura elettrica | |
| 72 | 093605 | 617R07902 | Heating element | Resistenza elettrica | |
| 73 | 093604 | 514R13101 | Heating element protection | Protezione resistenza | |
| 74 | 093323 | 830R03901 | Evaporator 2R 8T | Evaporatore 2R 8T | |
| 75 | 093469 | 833R19201 | Evaporator tray | Vaschetta evaporatore | |
| 76 | | 546R23900 | Washer for cover evaporator | Rondella per copertura evaporatore | |
| 78 | 093777 | 682R06601 | Ventilatore evaporatore (EBM) | Evaporator fan (EBM) | Up to 2021/37 |
| 78 | 097000 | 682R02C00 | Ventilatore evaporatore (FIME) | Evaporator fan (FIME) | From 2021/38 |
| 79 | 092183 | 646R07800 | Cavity probe lower comprtemnt | Sonda cella vano inferiore | |
| 80 | 091061 | 546R07500 | Probe protection | Gabbietta per sonda | |
| 82 | 093327 | 617R06100 | Heating element with thermostat | Resistenza con termost. 170w | |
| 83 | 093487 | 514R11600 | Thermostat spring | Molla per fissaggio termostati | |
| 84 | 093368 | 514R10800 | Heating element spring 2R (big) 176mm | Molla per fissaggio resistenza 2R | |
| 85 | 093353 | 514R12000 | Heating element spring (small) 84 mm | Molla per fissaggio resistenza | |
| 86 | 093534 | 617R07601 | Discharge heating element (lower comp) | Resistenza scarico condensa Low. | a,b,c,g |
| 87 | 093294 | 501R44001 | Evaporator conveyor one hole 154mm | Convogliatore evaporatore 1 fori | |
| 89 | 093261 | 835R24100 | Evaporator cover | Assieme Calotta | Up to 6181 |
| 74 | | 835R47601 | Evaporator cover | Assieme Calotta | From 6191 |
| 90 | 093606 | 501R63601 | Evaporation basin for remote | Baccinella di evaporazione per remoto | |
| 91 | 093607 | 501R63701 | Water protection | Sgocciolatoio | |
| 92 | 088501 | 646751900 | Expansion valve/thermostatic valve | Valvola Termostatica 404A | a,b,c,g,h |
| 92 | 087333 | 646740900 | Expansion valve/thermostatic valve | Valvola Termostatica 134A | d,e,f |
| 93 | 089614 | 565717600 | Insulation expansion valve | Isolante per valvola | |
| 94 | 090229 | 525719000 | Meccanic filter | Filtro meccanico | |
| 95 | 093460 | 501R56001 | Internal carter | Carter interno | |
| 96 | 092173 | 646R06700 | Cell probe upper compartement | Sonda cella vano | |
| 97 | 093592 | 501R45902 | Evaporator basin | Baccinella evaporatore | |
| | | | | | |
| Page 4 | | Control panel | | Pannello di controllo | Illustr:50149_p4 |
| 99 | | 880R83705 | Control panel from 100 to 107 | Ass. cruscotto da posizione 100 a 107 | a,g,h |
| 99 | | 883R70500 | Control panel from 100 to 107 | Ass. cruscotto da posizione 100 a 107 | d |
| 100 | 097276 | 509R25001 | Panel 304 AISI | Cruscotto | |

